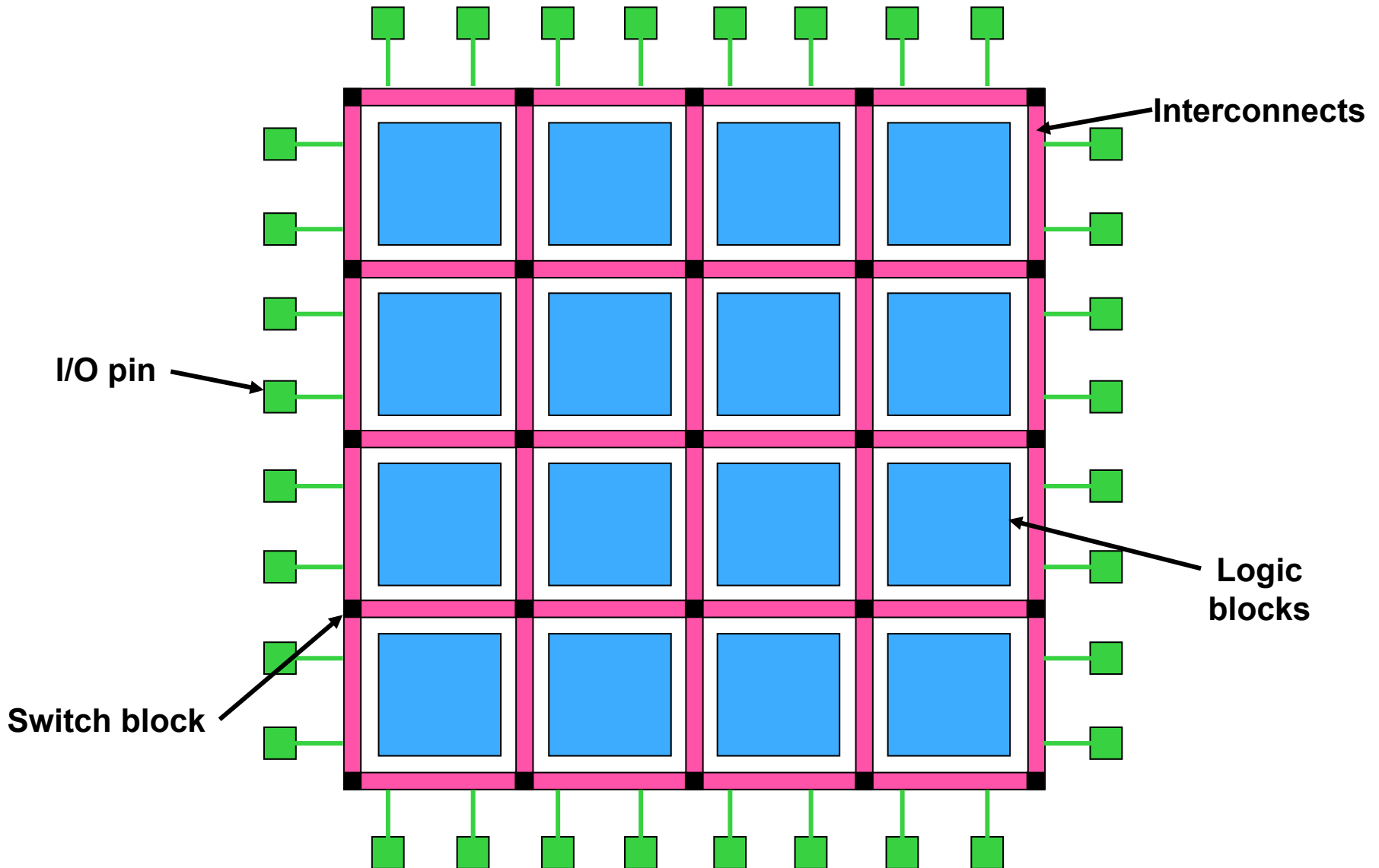
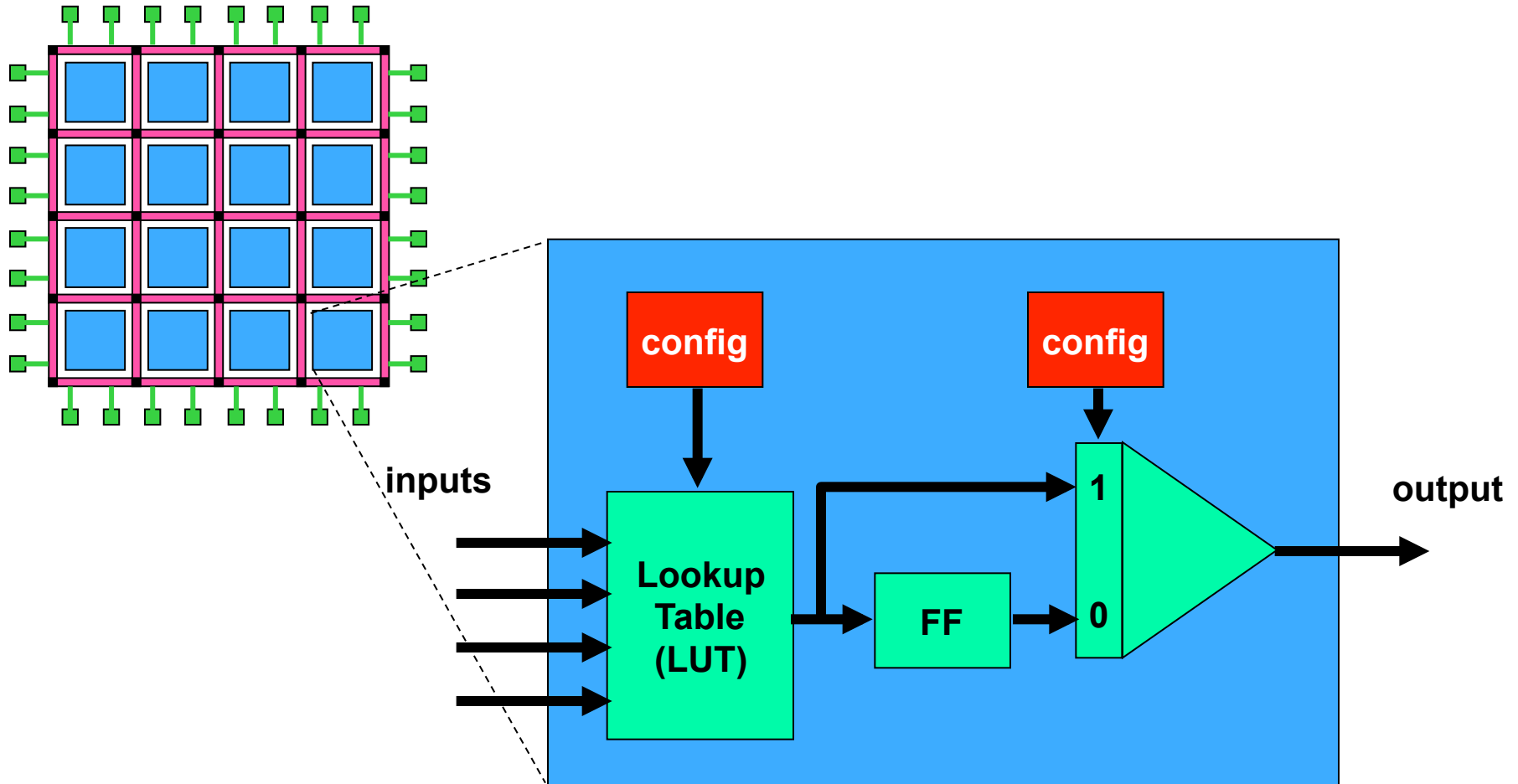


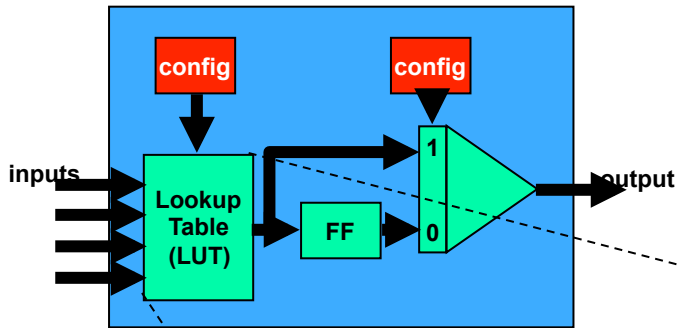
# FPGA architecture



# FPGA logic block



# FPGA LUT



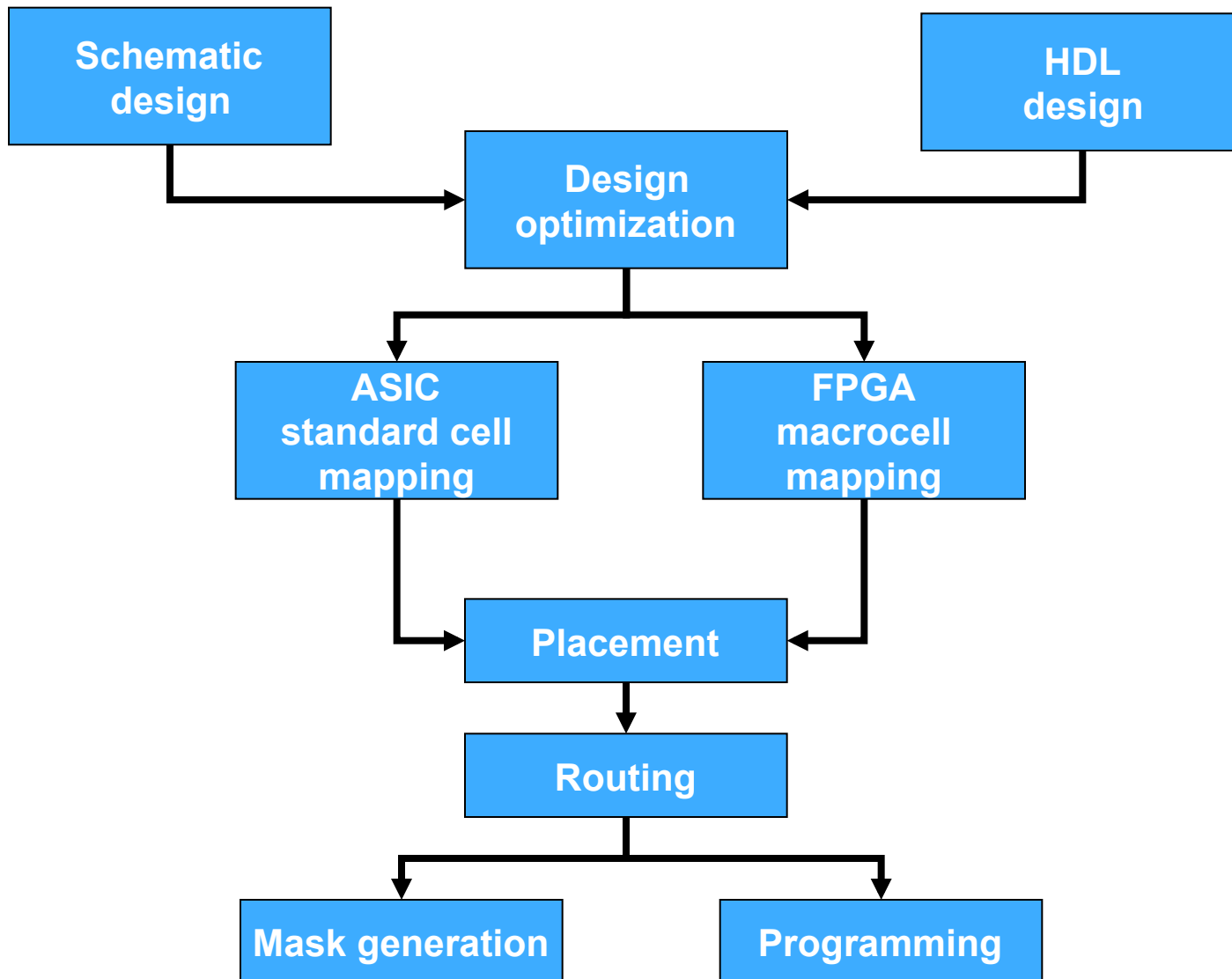
Note: Xylinx Virtex-7 FPGAs provide 6-input LUTs with up to ~2M logic cells

## 2-input LUT example

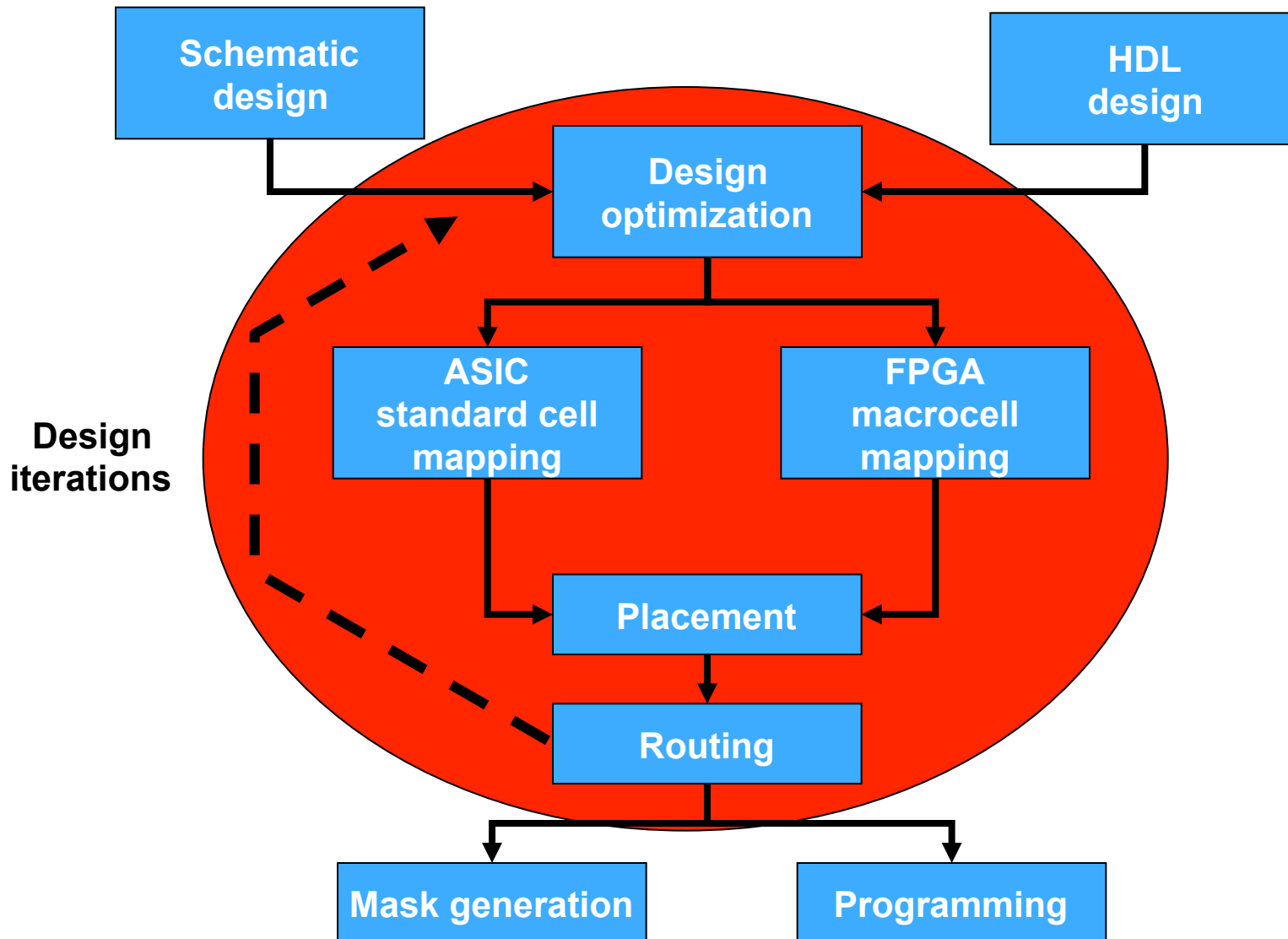
A 2-input LUT can implement 16 logical functions

Input		Output function					
A	B	AND	OR	XOR	NAND	NOR	... ..
0	0	0	0	0	1	1	
0	1	0	1	1	1	0	
1	0	0	1	1	1	0	
1	1	1	1	0	0	0	

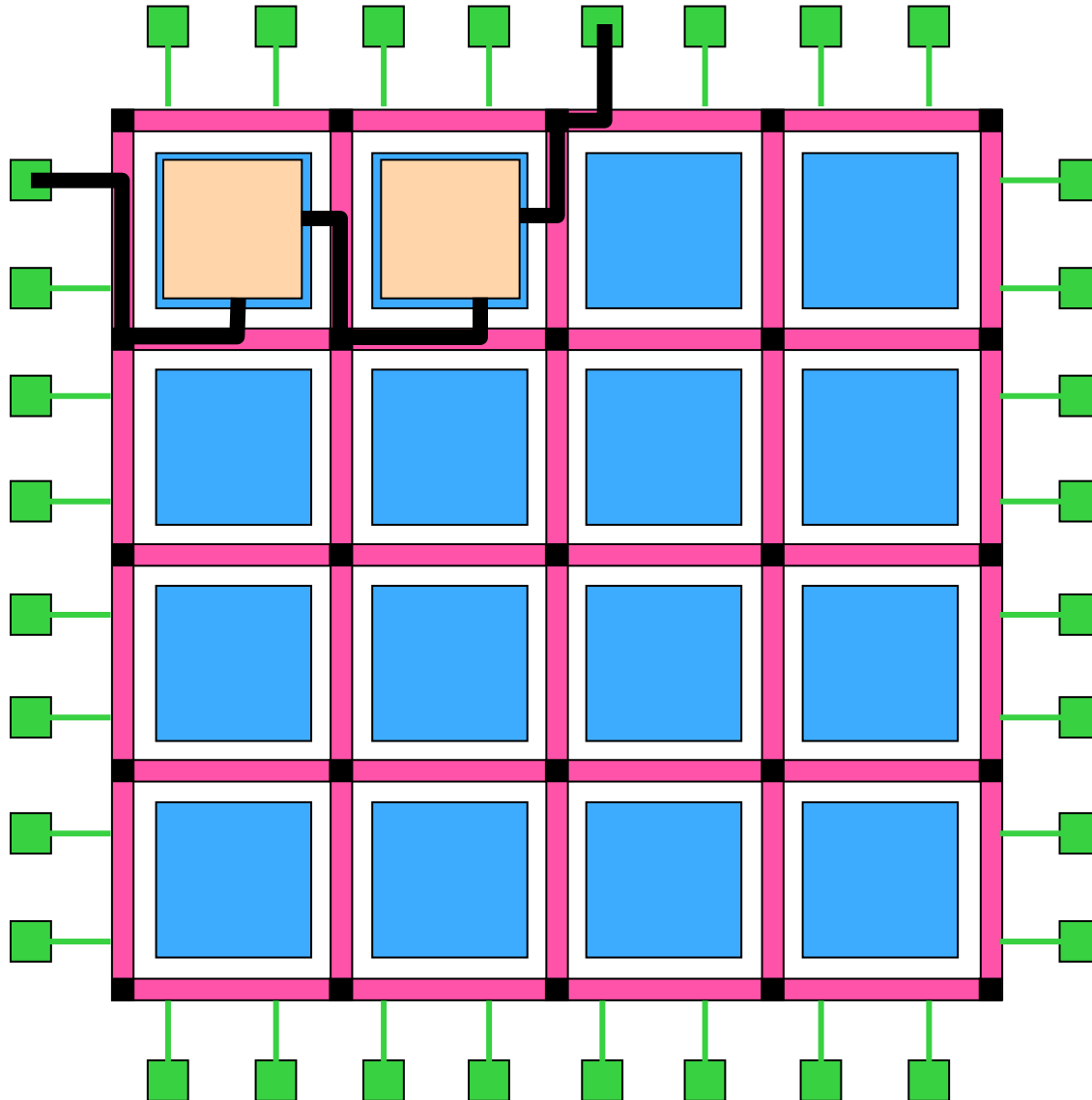
# ASIC/FPGA development



# ASIC/FPGA development



# FPGA placement/routing



# ASIC/FPGA development

